

# ROTOCHOPPER<sup>®</sup>

CP-118

Made In The USA



Wood Chip Processor



*Perfect In One Pass<sup>™</sup>*

# Rotochopper Diesel Powered Wood Chip Processing

## CP-118 Wood Chip Processor



**Length:** 35' 9" **Width:** 98" **Height:** 11'  
**Weight:** approximately 13,500 lbs

The completely mobile CP-118 tows behind a pickup and is ready to run in just minutes.

A 5-yard hopper, high speed grinding mill, sizing screen and patented on board Rotochopper Power Application System (PAS) allow you to turn low quality chips into premium colored mulch at rates of up to 75 yards per hour.

With the flip of a switch, make any color in the rainbow and change the look, feel, and value of your wood fiber.

The CP-118 employs the proven grind-and-color technology that has made Rotochopper the leader in mulch processing equipment. The CP-118 is easy to operate and service, with user-friendly controls and fast teeth and screen changes. Efficient as well as productive, the CP-118 features a wear part design and an engine load regulated infeed that optimize fuel efficiency and dramatically reduce downtime.



### Typical Capacities:

Bark: 50 to 75 yards per hour (1 3/4" screen size)

Chips & Re grind - grind & color: 50 to 75 yards per hour  
(1 3/4" screen size)

## How do you expand your business to the next level?

You need a resource, an idea, a market and a method.

- **The resource** is wood chips. The endless thousands of yards of nice clean wood fiber you have been hauling to the dump or giving away for all these years.
- **The idea** is to stop looking at those chips as a liability and start turning them into a saleable product that someone wants to buy. Create something out of nothing.
- **The market** is businesses, city governments, parks, landscapers and homeowners. The same people that are calling you every day to trim or remove trees. And what a market it is. It is estimated that there are over 130 million potential buyers of landscape supplies in North America alone. All of them are interested in quality and variety, and that's what you need to deliver.
- **The method** involves taking the chips you already produce and running them through a reprocessor that grinds the chips to a texture and consistency that people find attractive. Add a dash of color to spice them up and you've really added value.

If you're looking for a machine that will take your business to that next level, you won't find another machine like the CP-118 on the market: one that will not only grind wood chips to a consistent size and texture but color them at the same time—two machines in one affordable package.

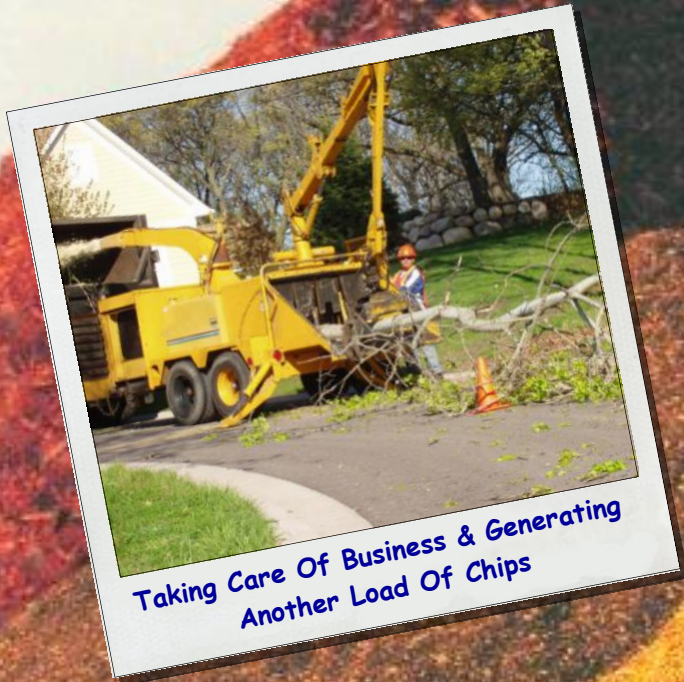
If you own one 18" chipper and produce an average of 20 yards per day and sell the mulch produced from those chips at an average price of \$30 per yard, you have \$600 of new money every day. \$600 X 5 days a week X 50 weeks is \$150,000 per year! Even at a wholesale price of \$15 a yard it's \$75,000 per year, and you'll never pay to dump those chips again.

If starting each day knowing where to go with those chips sounds like something that might work for you, check out the local market and see who's buying and selling chips. Then if you want to grow to the next level . . .

### Give us a call



# Where Are You Going?



We all start out from about the same spot in life don't we?

But where we end up is entirely up to us.

- If you're in the tree care business the first picture probably looks familiar.
- The second one gets you overwhelmed!



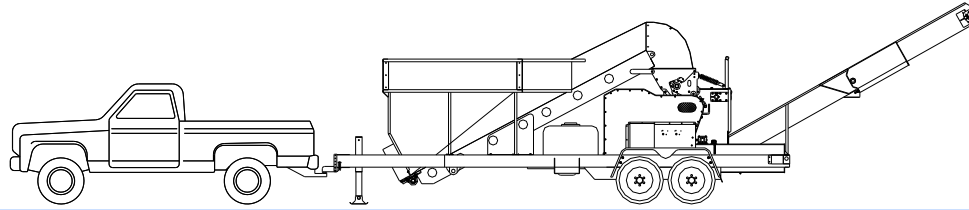
- The third shows a smart move to improve your business and life.
- And the fourth picture is ending up where you want to be . . .

*Thriving & Prosperous*



# CP-118 Wood Chip Processor

## Product Specifications



### CP-118 Mobile Wood Chip Processor / Colorizer

#### Dimensions

- Length: 35' 9"
- Width: 98"
- Height: 11'
- Weight: approximately 13,500 lbs.

#### Power Supply

- 115 HP John Deere 4045T
- Optional 115 HP CAT 3054
- 58 gallon fuel capacity
- Engagement: HPTO 8TD Clutch

#### Feed Hopper

- 5 cubic yard capacity
- Loading height of 6' 2" x 7' wide, opening left or right
- 18" infeed belt with hydraulic flow control
- Load regulated infeed speed to optimize fuel efficiency
- Full length high-torque hopper agitator

#### Grinding Chamber

- High speed rotor with replaceable teeth
- Patented grinding chamber colorizing system
- Interchangeable screens for precision product sizing

#### Colorizer

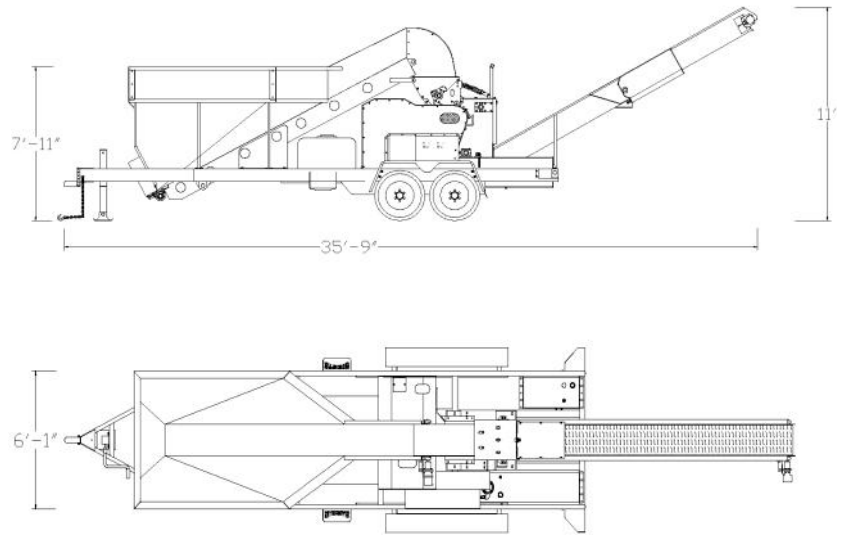
- On-board 150 gallon water tank
- Adjustable flow rates for accurate color control

#### Discharge Conveyor

- 10' dump height with 18 inch wide belt
- Optional magnetic metal separator

#### Trailer (Axles, Hitches)

- 2 Tor-Flex axles, electric brakes, DOT lighting
- Ball or pintle hitch



## Not just a high performance machine—it's a business plan.

At a low initial investment and low cost of total ownership, the CP-118 will consistently deliver quality mulch that will keep your customers happy. Designed with a commitment to **Perfect In One Pass™** quality, the CP-118 has proven itself an investment that performs above expectations.

Keep your capital costs at a minimum and expand your business by processing and coloring your chips in one simple and affordable machine.



The CP-118 tows easily to any job site.



217 West Street  
PO Box 295  
St. Martin, MN 56376

320-548-3586

info@rotochopper.com www.rotochopper.com