

SCREEN U.S.A.®

EQUALIZER

MODEL HM35D2

Unique escape gate for over-sized wood and steel



Picture Shows Optional Hydraulic Tipping Grizzly

The Low Cost, Heavy-Duty Portable Shredding Mill And Screen For Small And Intermediate Producers



SHREDS AND SCREENS

- TOPSOIL • PEAT • COMPOST • AGLIME • MULCH
- CONTAMINATED SOILS • BARK • CONCRETE WASHOUT

MADE IN THE USA BY
SCREEN USA, Inc.

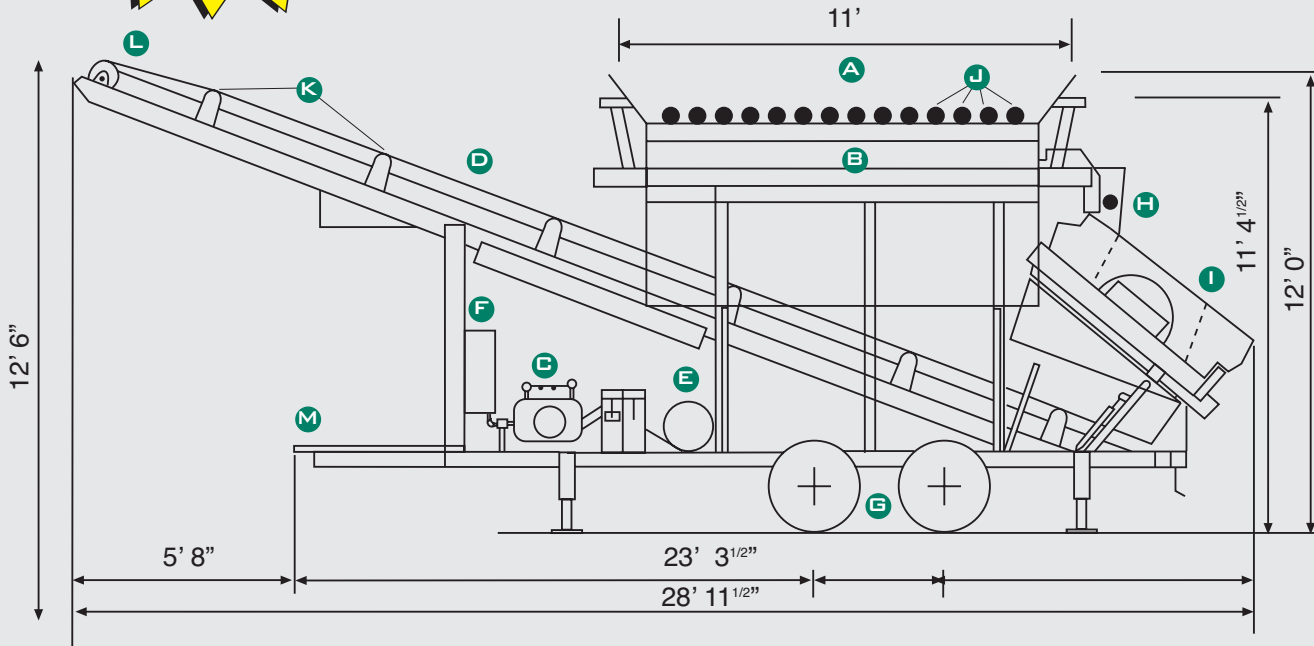
(770) 433-2440

WWW.SCREENUSA.NET

EQUALIZER

MODEL HM35D2

- Legal Hauling Size
- Minimum Set Up Time
- 3'-0" Wide Hammermill
- Variable Speed Feed
- Built-On Conveyor
- Loads Trucks Directly



A. HOPPER
2 1/2 YDS.

E. FUEL TANK
29 GALLON WELDED STEEL

I. SCREEN
3' x 5' - 1 DECK - 4 BEARING

M. HAULING
MILITARY PINTLE

B. FEEDER
36" WIDE, DRAG CHAIN
150 TPH / 80 YPH

F. HYDRAULIC TANK
90 GALLON

J. GRIZZLY
HEAVY DUTY
HYDRAULIC TIPPING

PAINT
2 COAT PRIMER &
ENAMEL

C. ENGINE
LOMBARDINI DIESEL
OPTIONAL JOHN DEERE

G. AXLES AND TIRES
ELECTRIC BRAKING
AXLES WITH 750-16
14 PLY TIRES

K. IDLERS
4" - 45° TROUGHING

WEIGHT
APPROX. 13,750 LBS.

D. CONVEYOR BELT
24" - 2 PLY
350' PER MINUTE

H. HAMMERMILL
60 BLADES, VARIABLE
SPEED 0-1400 RPM

L. HEAD PULLEY
10" CROWNED,
LAGGED



Screen U.S.A. Family of Screening Plants

FOR MORE INFORMATION CALL... (770) 433-2440

TROM 406



SMALL PRODUCER

TORNADO STAR 4008 TORNADO STAR 4012DLX



ORGANIC SCREENER
FOR SMALL TO
INTERMEDIATE PRODUCERS



ORGANIC SCREENER
FOR MEDIUM TO
LARGE PRODUCERS

Box 810



BOX SCREENER
FOR SMALL TO
INTERMEDIATE PRODUCERS

CD512



HEAVY DUTY C&D /
LOG YARD SCREENER