

SCREEN U.S.A.®

BF35D2



OPTIONAL CONVEYORS AVAILABLE



The Low Cost, Heavy-Duty Portable Screening Plant Designed For Small And Intermediate Producers



DRY SCREENS

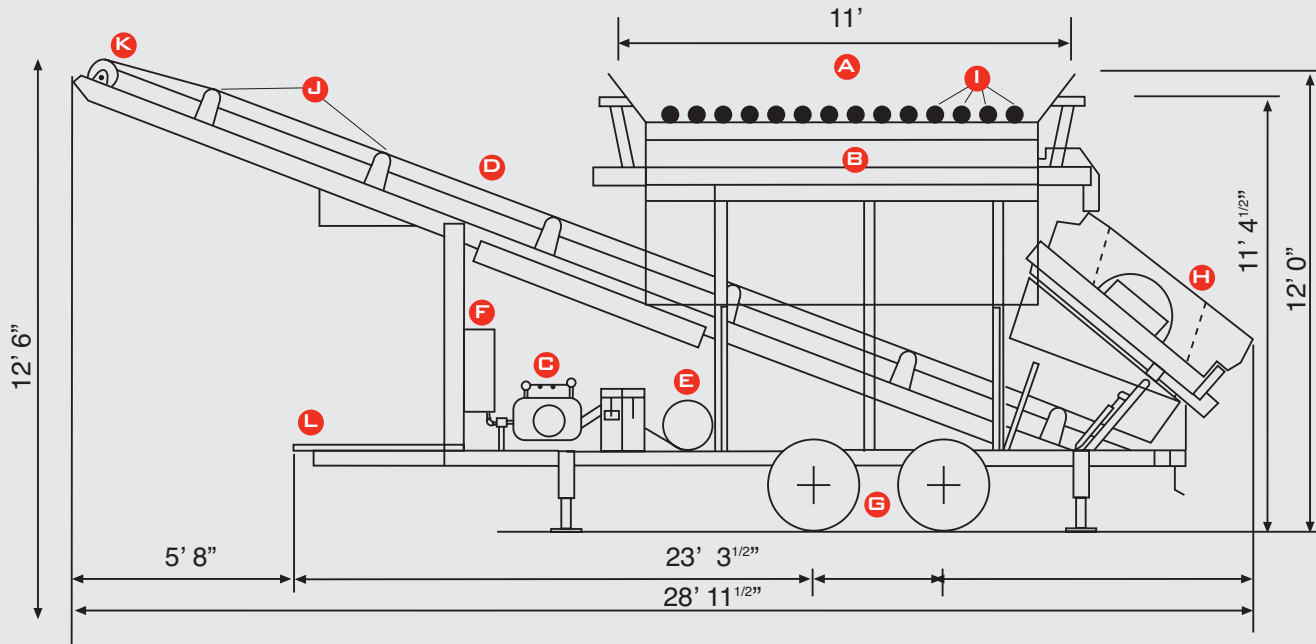
- SAND • GRAVEL • TOPSOIL • COMPOST
- BARK • AGLIME • COAL • CONTAMINATED SOILS

MADE IN THE USA BY
SCREEN USA, Inc.

(770) 433-2440

WWW.SCREENUSA.NET

BF35D2



A. HOPPER
2 1/2 YDS.

B. FEEDER
36" WIDE BELT FEEDER
OR 36" WIDE DRAG
CHAIN FEEDER
150 TPH / 80 YPH

C. ENGINE
LOMBARDINI DIESEL
OPTIONAL JOHN DEERE

D. CONVEYOR BELT
24" - 2 PLY
350' PER MINUTE

E. FUEL TANK
29 GALLON WELDED STEEL

F. HYDRAULIC TANK
40 GALLON

G. AXLES AND TIRES
ELECTRIC BRAKING
AXLES WITH 750-16
14 PLY TIRES

H. SCREEN
3' x 5' - 2 DECK -
4 BEARING

I. GRIZZLY
HYDRAULIC TIPPING
GRIZZLY (REMOTE CONTROL)

J. IDLERS
4" - 45° TROUGHING

K. HEAD PULLEY
10" CROWNED,
LAGGED

L. HAULING
MILITARY
PINTLE

PAINT
2 COAT PRIMER &
ENAMEL

WEIGHT
APPROX.
11,750 LBS.



Screen U.S.A. Family of Screening Plants

FOR MORE INFORMATION CALL...(770) 433-2440

TROM 406



SMALL PRODUCER

TORNADO STAR 4008



ORGANIC SCREENER
FOR SMALL TO
INTERMEDIATE PRODUCERS

TORNADO STAR 4012DLX



ORGANIC SCREENER
FOR MEDIUM TO
LARGE PRODUCERS

Box 810



BOX SCREENER
FOR SMALL TO
INTERMEDIATE PRODUCERS

CD512



HEAVY DUTY C&D /
LOG YARD SCREENER